

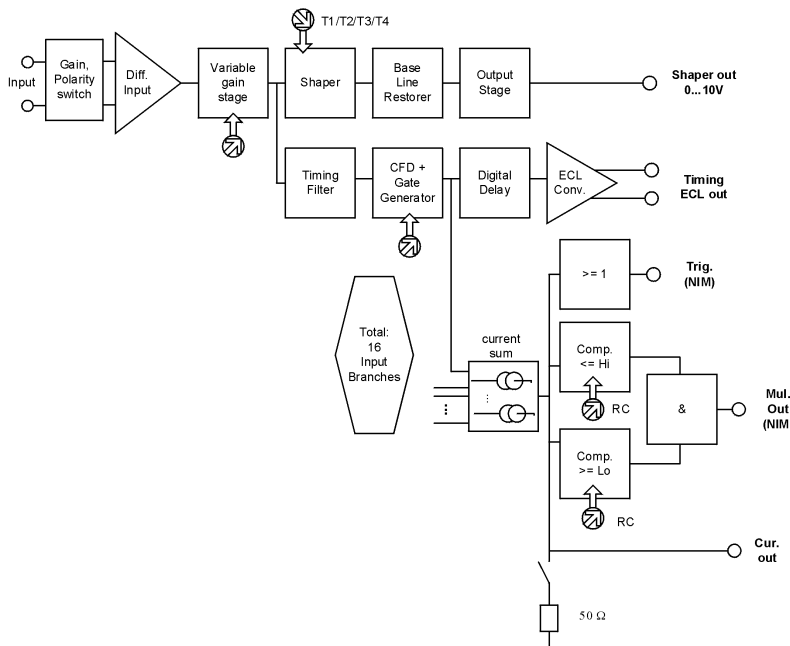
mesytec MSCF-16 F is a shaping / timing filter amplifier with constant fraction discriminator and multiplicity trigger and provides active baseline restorers. It is well suited for multistrip silicon detectors and for high quality spectroscopy applications. The differential input version is ideal with the preamplifier family MPR-16 / -32 / -64.

For Ge-detectors see data sheet for MSCF-16 LN. For direct PMT interfacing see datasheet MSCF16_F_C.

Features MSCF-16:

- 16 channel NIM module, low power design
- Shaping amplifiers with active baseline restorer
- Timing filter amplifiers
- CF discriminators (opt.: leading edge)
- ECL timing output with digital delay of 450 ns
- Trigger output (NIM)
- Multiplicity trigger (NIM)
- Remote control of discriminator thresholds, shaping time, gains, PZ, BLR-threshold
- 4 shaping times
- Gain adjustable from 1 to 600 (optional 2000)
- Differential or unipolar (Lemo) input versions.
- Low noise: $< 7 \mu\text{V}$ (gain=100 and shaping time = $2 \mu\text{s}$)
- Low integral nonlinearity
- Fully controllable via front panel
- Remote control via USB and mesytec control bus

Schematics:



Technical Data:

Input stage

- Gain adjust: gain can be set from 1 to 20 in 16 steps with factor 1.22 per step. The gain is multiplied with the gain jumper factor. So with a gain jumper G2, and G30 a total gain of 2 to 600 is standard.

unipolar version

- Input connectors: 16 x Lemo 00 series
- Input termination: 330 Ω , 93 Ω or 50 Ω , coded on the gain-polarity jumper are possible. Gain jumpers from G1 to G95 are possible. See table for details

differential version

- Input connector: 34 pin male connector
- Input resistance: terminated with 100 Ω , adapted to twisted pair cables.
- Gain-Polarity jumper with multiplication factor of G2 and G30 are standard. (total Gain range from 2 to 600)
- Common mode suppression: > 50 dB

Noise

- Input noise at gain = 100 and 2 μ s shaping time = 7 μ Vrms.

Shaper:

- PZ adjustable with front panel trimmer.
- 5th order filter CR-RC⁵ (Sh2-type 4th order)
- Four shaping times (σ -values) selectable for groups of 4 channels
- Output amplitude: 0 to 10 V at 1 k Ω
- Active baseline restorer
- DC-Offset: VDC \pm 5 mV, common offset adjust.
- Output connector: 34 pin male connector
- Integral nonlinearity < 0.05%
- gain drift < 0.0075% / $^{\circ}$ C
- Offset drift < 50 μ V/ $^{\circ}$ C

Timing filter amplifier:

Time constants: see Table

Discriminator:

- CFD or Leading edge (jumper selectable)
- CFD delays, and fraction selectable for groups of 4 channels
- CFD -Walk: for 30 ns (10% to 90%) input risetime, max \pm 1 ns (dynamic range 100:1)
- Threshold: adjustable, 0% to 30% of maximum range, in 256 steps
- CFD: 2 fractions: selectable for groups of 4: 20% / 40%
- CFD -Walk: for 30 ns (10% to 90%) input risetime, max 1 ns (dynamic range 100:1)
- Threshold: adjustable, 0% to 75% of maximum range, in 256 steps

Fraction and delay selection of the 4 channel CFD plug on modules

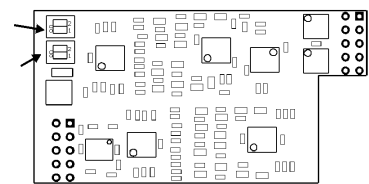
Fraction (sw1)

On: 20 %
Off: 40 %

Delay (sw1, sw2)

off off: 10 ns
on off: 20 ns
off on: 40 ns
on on: 60 ns

Example: CFD-60



For other CFD delays see section "Tables"
See also lable inside the movable module side plate.

Gate generator, Timing delay, ECL output

- Pulse width for trigger output: 450ns
- Timing stop- ECL-Signals: delay 400ns / 800ns from trigger, (see table)
- Pulse width for trigger output: 400 ns
- Timing stop- ECL-Signals: delay 400 /800 ns from trigger (see table), width 200 ns
- Output connector: 34 pin male connector

Multiplicity trigger:

- Each channel above threshold contributes to multiplicity level, a multiplicity trigger is generated for: lower multiplicity threshold \leq multiplicity level \leq upper multiplicity threshold
- Coincidence interval adjustable via RC from 20 ns up to 200 ns (default 120 ns = Value 128).
- The multiplicity trigger is delayed by the coincidence time to the trigger signal.
- Multiplicities selectable via remote control
- Lower multiplicity threshold: 1 ... 8, upper multiplicity threshold: 1 ... 8 and ∞
- Multiplicity chaining: multiplicity outputs from several modules can be connected, resulting in a total multiplicity level of all connected modules. Multiplicity trigger windows of the connected modules act independently on the total multiplicity.

Power consumption: (max 9W)

- +6V 350 mA
- -6V -700 mA
- +12V 200 mA

MSCF-16 Frontpanel Operation:

Most MSCF-16 parameters can be set and controlled via frontpanel elements.

Two parameters can be adjusted for each channel individually:

- Threshold
- PZ compensation

Two parameters can be adjusted in groups of four channels (channel 1-4, 5-8, 9-12 and 13-16):

- Gain
- Shaping time

All parameters can as well be set up for all channels in common. Thus there are two different modes of frontpanel operation:

Common mode:

Threshold, PZ, Gain and Shaping time have a common setting for all channels

Single mode:

Threshold and PZ settings for each individual channel
Gain and Shaping time for each groups of four channels

Common parameters can be copied to individual parameters to easily get a basis for individual settings.

Mode select:

Clicking the “single chan” knob switches between single and common operating mode. The orange LED associated with the “single chan” knob signals single channel mode when lighted.

Monitor / Active Channel:

One out of 16 available channels is available at the energy and timing monitor outputs. This is also the channel to be modified in Single mode.

Shaping time:

Shaping times are changed around by clicking the “Sht” knob, the shaping time value of the currently selected channel (group) is displayed by two LEDs. They indicate an index from 0 (“1” and “2” LEDs both off) up to 3 (both LEDs on). Please refer to individual device labelling for corresponding shaping times.

Gain:

Gain values are set by the gain dial, gain values are indicated on the front panel. Gain ranges from 1.0 to 20.0. It can be set commonly for all channels or individual for groups of four channels.

Threshold:

Threshold is adjusted with a frontpanel trimmer, the corresponding voltage can be drawn from the test output. It can be set commonly for all channels or individually for each channel.

PZ:

PZ compensation is also adjusted with a frontpanel trimmer, the corresponding voltage level is output on the test connector. It can be set commonly for all channels or individually for each channel.

General setup:**Common mode:**

In common mode, the trimmer settings for threshold and PZ are followed immediately.

Shaping time can be selected for all channels clicking the Sht knob. Gain is set for all channels by selecting the desired gain switch position.

Individual mode:

In single channel mode, trimmer changes are only read and activated when the “enter” knob is pressed during changes. Threshold and PZ settings are remembered individually for each channel. Shaping times and gains are valid for a group of four channels.

Copying from Common to Individual:

For an easy basic setup, common settings can be copied to the individual section. Fine tuning can then be done based on this basic setup.

Copy is done by clicking the “Single chan” knob while “enter” is pressed.

Auto PZ setup:

The PZ compensation values can be set up automatically – provided there’s a signal at the respective channels.

Holding the “Single chan” knob for about two seconds starts the automatic pz setup. The values found are saved in the individual parameter set.

Clicking “Single chan” again during autopz breaks the process.

Remote Controlled Operation:

MSCF-16 can be remotely controlled in two ways: USB control and eventbus control.

MSCF-16 has two complete parameter sets, one for frontpanel operation, one for remote control. Switching RC on and off switches between these two parameter sets.

In RC mode there are several more parameters, which will also be used (but can not be controlled) in frontpanel mode:

- BLR on/off
- Coincidence time window
- BLR threshold
- Multiplicity trigger thresholds

Only for factory setting or experts:

- Shaper offset
- Threshold offset

USB Control:

For USB control a USB 1.1 or 2.0 connection is required. The MSCF-16 can be operated as a generic serial device on a virtual com port. Virtual Com Port (VCP) drivers for various operating systems for this rc mode can be derived from the manufacturer of the USB interface chip:
www.ftdichip.com/Drivers/VCP.htm

The MSCF-16 can then be controlled e.g. using a terminal program or a proprietary control software.

Interface settings:

By default, communication is set to:

9.6 kBd, Data format 8N1

Higher baudrates can be set using the "SB" cmd.

On power-up 9.6 kBd will be restored.

Device Parameters:

Like in frontpanel mode thresholds and pz values can be adjusted in common or individually for each channel, while shaping times and gains can be set up for groups of four channels or in common.

For common settings, there's one virtual channel/group added to parameter indices:

Thresholds, pz compensation:

Channels 1 ... 16, 17 = common

Gain, shaping time:

Groups 1 ... 4, 5 = common.

Command list: (each cmd terminated by <CR>)

DS	Display Setup (lists all gains, thresholds, pz values, shaping times, ...)
SB <i>n</i>	Set Baudrate to: n = 1: 9.600 Bd. (Power-Up default) 2: 19.200 Bd. 3: 28.400 Bd. 4: 57.600 Bd. 5: 115.200 Bd.
SG <i>group val</i>	Set Gain for groups of 4 channels group = 1...5 (5 = common mode) val = 0...15
SBL <i>val</i>	Switch BLR on/off (1/0)
SC <i>val</i>	Set coinc time window (0..255)
SSO <i>val</i>	Set shaper offset (0..200) def. 100
STO <i>val</i>	Set threshold offset (0..200) def. 100
SBT <i>val</i>	Set BLR threshold (0..255)
ST <i>chan val</i>	Set threshold value chan = 1...17 (17 = common mode) val = 0...255

SP <i>chan val</i>	Set pz value chan = 1...17 (17 = common mode) val = 0...255
SS <i>group val</i>	Set shaping time for a group group = 1...5 (5 = common mode) val = 0...15
SM <i>hi lo</i>	Set multiplicity borders hi, lo = 1 ... 8
MC <i>chan</i>	Set monitor output to chan chan = 1...16
SI <i>0/1</i>	Single channel mode 0 = off, 1 = on
ON	Switch RC mode on
OFF	Switch RC mode off
AP	Switch automatic pz setting on/off
AP <i>chan</i>	automatic pz setting for chan 1..16
CPY F	Copy fronpanel settings to RC memory
CPY R	Copy RC settings to frontpanel memory
V	Display firmware version

Settings via USB remote control will be saved in permanent memory and will be restored after next power up.

RC bus control:

MSCF-16 can also be controlled using the MRC-1 / MRCC master controller modules.

Bus setup:

Up to 32 devices (not only MSCF-16) – 16 on each of the two control buses – can be remotely controlled at a time.

Devices have to be connected with lemo cables and t-pieces, the last module on a bus has to be terminated with 50 Ohms. The RC master is self terminated. Be sure to assign individual device addresses using the address coders!

RC commands:

Remote control via RC bus is basically performed by reading and writing the control register page of the MSCF-16. Basic commands are:

Read: *RE b a m*

Write (Set): *SE b a m v*

With:

b = bus number (0/1)

a = device address (0 ... 15)

m = memory address

v = value

Memory List MSCF-16:

The following table shows the MSCF-16 memory layout:

ADR	parameter	comment
0	Gain group 1	Gain setting for channel 1 ... 3 and common mode Values from 0 ... 15
1	Gain group 2	
2	Gain group 3	
3	Gain group 4	
4	Gain common	
5	Threshold channel 1	Threshold values for channel 1 ... 16, 17 = common Values from 0 ... 255
6	Threshold channel 2	
7	Threshold channel 3	
8	Threshold channel 4	
9	Threshold channel 5	
10	Threshold channel 6	
11	Threshold channel 7	
12	Threshold channel 8	
13	Threshold channel 9	
14	Threshold channel 10	
15	Threshold channel 11	
16	Threshold channel 12	
17	Threshold channel 13	
18	Threshold channel 14	
19	Threshold channel 15	
20	Threshold channel 16	
21	Threshold common	

Memory List MSCF-16 (continued):

ADR	parameter	comment
22	PZ value channel 1	PZ values for channel 1 ... 16, 17 = common Values from 0 ... 255
23	PZ value channel 2	
24	PZ value channel 3	
25	PZ value channel 4	
26	PZ value channel 5	
27	PZ value channel 6	
28	PZ value channel 7	
29	PZ value channel 8	
30	PZ value channel 9	
31	PZ value channel 10	
32	PZ value channel 11	
33	PZ value channel 12	
34	PZ value channel 13	
35	PZ value channel 14	
36	PZ value channel 15	
37	PZ value channel 16	
38	PZ value common	
39	Shaping time group 1	Shaping time settings for group 1 ... 3 and common mode Values from 0 ... 3
40	Shaping time group 2	
41	Shaping time group 3	
42	Shaping time group 4	
43	Shaping time common	
44	Multiplicity hi	Multiplicity values 1 ... 8
45	Multiplicity lo	
46	Monitor channel	1 ... 16
47	Single channel mode	1 = on, 0 = off
48	RC	1 = on, 0 = off (set automatically by ON / OFF cmd via MRC-1 / MRCC)
49	Version information	16 * maj + min.
50	BLR threshold	0 ... 255
51	BLR on/off	1 = on, 0 = off
52	Coinc. Time	0 ... 255
53	Threshold offset	100 (=no offs) +/- 100
54	Shaper offset	100 (=no offs) +/- 100

Parameters can be read / written while RC on or off, but will take effect only when RC is on. While RC ON, the front panel control will be blocked until "Enter" is pressed.

When shut down during RC on, the RC values will be restored after next power up and rc will be active again.

Identification code for MSCF-16 (detected when running the scan bus command "SC") is IDC = 21.

MSCF16 PCB overview



1 Position for the active gain-polarity jumpers.

2 Position to store up to 4 spare jumpers

3 Offset to the discriminator threshold (do not change!) (**in V4.x remote controlled**)

4 Adjust the Shaper output offset (adjusted, typically $+3\text{mV}$) (**in V4.x remote controlled**)

5 50Ohm jumper. Is needed if modules are not connected for common multiplicity.

6 to 9 Connector usually occupied by CFD modules. To use only leading edge discriminators, remove CFD module and insert 16 jumpers at the left side, 4 for each connector. The right pin pair on each connector is ground and can be left free.

Tables: data, types and ordering

Example MSCF16_F for Particle detector readout

Appl	Module name	Shaping times (sigma)	Timing filter integration	Input type	Input connector	Discriminator	CFD-Delay
All particle detectors	MSCF16_F	_SH2 0.25us, 0.5us, 1us, 2us	-20 20ns	_V Voltage input for charge Pre-amp. tail pulses	_L Lemo	_CFD Constant fraction discriminator	60 (avail. 30,60, 200ns)
		_SH8	-70 70ns	_V	D Differential header 17x2	LE Or leading edge only	-

Connected parameters: The timing filter differentiation time corresponds to the selected shaping time. So shortest shaping time results in shortest TF differentiation time.

CFD plug in modules (4 modules per MSCF16 needed)

CFD-Name	Fraction (via dipswitch)	Delays (via dipswitch)
CFD-30	20% / 40%	5, 10, 20, 30 ns
CFD-60	20% / 40%	10, 20, 40, 60 ns
CFD-200	20% / 40%	30, 60, 130, 200 ns

Standard types:

Appl	Module name	comment
Silicon Detectors IO Chambers MWPC...	MSCF16_F_SH2-20_V_X_CFD60	Shaping times: 0.25us, 0.5us, 1us, 2us (sigma) Gain jumpers: G2-50R, G30-50R ECL output delay 0.4us TF differentiation time of 70, 150, 300, 600 ns TF integration time 20ns BLR threshold step: 5mV (max 1.25V)
Silicon Detectors IO Chambers MWPC...	MSCF16_F_SH8-70_V_X_CFD200	Shaping times: 1us, 2us, 4us, 8us (sigma) Gain jumpers: G2-50R, G30-50R ECL output delay 0.8us TF differentiation time of 330ns, 650ns, 1.5us, 3.3us TF integration time 70ns BLR threshold step: 5mV (max 1.25V)
Silicon Detectors Fast scintillators:	MSCF16_F_SH1-5_V_X_CFD30	Shaping times: 0.12us, 0.25us, 0.5us, 1us (sigma) Gain jumpers: G2-50/100R, G30-50/100R ECL output delay 0.4us TF differentiation time of 33, 70, 150, 360ns TF integration time 5ns BLR threshold step: 5mV (max 1.25V)

For Ge- Detectors see MSCF16_LN series

Non standard types:

Silicon Detectors IO Chambers MWPC...	MSCF16_F_SH4-150_V_D_LE	Shaping times: 0.5, 1us, 2us, 4us (sigma) Gain jumpers: G2-100R, G30-100R ECL output delay 0.8us TF differentiation time of 150ns, 330ns, 650ns, 1.5us TF integration time 150ns BLR threshold step: 5mV (max 1.25V)
Silicon Detectors IO Chambers MWPC...	MSCF16_F_SC3-20_V_D_LE	Shaping times: 0.5, 1us, 2us, 3us (sigma) Gain jumpers: G2-100R, G30-100R ECL output delay 0.8us TF differentiation time of 140ns, 300ns, 600ns, 900ns TF integration time 20ns BLR threshold step: 5mV (max 1.25V)